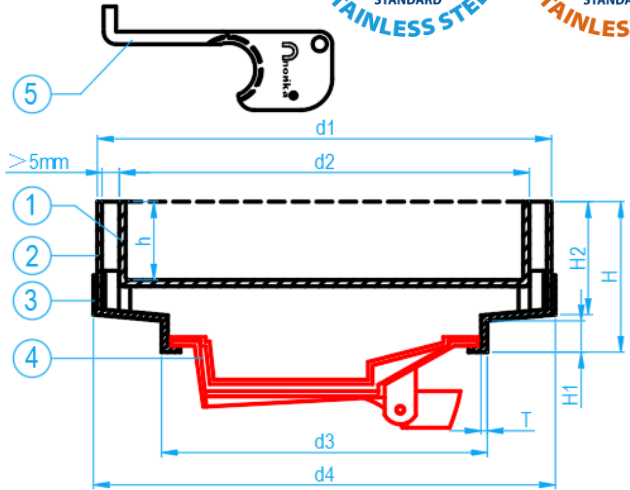


# STAINLESS STEEL 304L/316L DECORATIVE SMARTDRAIN

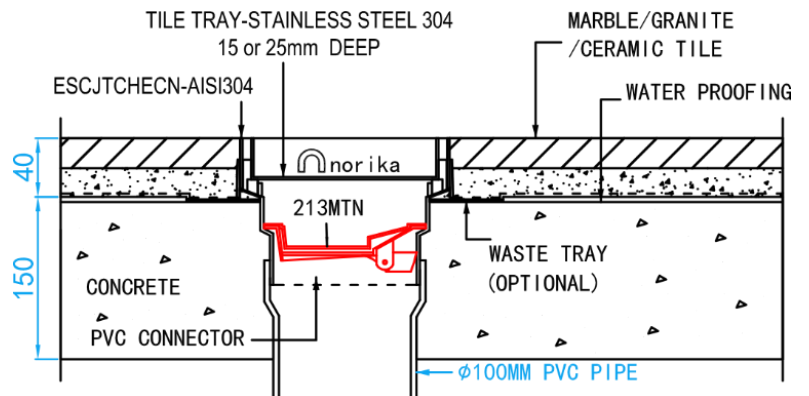
COMPLY WITH SS213:1998



CROSS SECTIONAL VIEW



INSTALLATION EFFECT



CHARACTERISTIC	
Main function	Drainage, sealing
Surface treatment	Hairline
Applications	Sleek and modern smartdrain for use in residential, hotels, apartments, office buildings. HDB. Villas

COMPONENT PARTS		
ITEM	PARTS	MATERIAL
1	Tray	AISI304L
2	Frame	AISI304L
3	Base	UPVC
4	Filter	UPVC (213MTNB)
5	Key	PBT

## DIMENSIONS

SKU	Material	d1 (mm)	d2 (mm)	d3 (mm)	d4 (mm)	H (mm)	H1 (mm)	H2 (mm)	h (mm)	T (mm)	WEIGHT (Kg)	PCS/CTN
SMARTDRAIN125T	AISI304L	128	114	103	133	38	10	25	15.5	2	0.500	20
SMARTDRAIN125M						48		35	25.5		0.600	20
SMARTDRAIN125T316L	AISI316L	128	114	103	133	38	10	25	15.5	2	0.500	20
SMARTDRAIN125M316L						48		35	25.5		0.600	20